

■DESCRIPTION

The IP-A1PG is a PoE-powered Gateway Unit that integrates multiple IP Audio devices by converting the audio from Video Management Systems using ONVIF or voice from SIP Phone systems into multicast audio streaming. It can also transmit built-in sound source or input audio as multicast audio streaming. Moreover, the event broadcasting triggered by control input, scheduler or remote API (HTTP) as well as the command set that sends multiple HTTP commands simultaneously are also available.

■SPECIFICATIONS

Power Source	PoE(IEEE802.3af Class 3)
Power Consumption	2.5 W
Audio Transmission Method	Multicast Audio Streaming
Audio Codec	Opus, PCMU(G.711u), PCMA(G.711a), G.722
Audio Delay Time	Min. 100 ms (*1)
Network I/F	100BASE-TX, Auto MDI/MDI-X, RJ45 connector
Network Protocol	TCP/IP, UDP, HTTP, RTP, RTSP, RTCP, ARP, ICMP, IGMPv3, NTP, SIP(RFC3261)
Audio Input	1 channel, electronically-balanced, 10 kΩ LINE/MIC selectable (Rated input: LINE: 0 dB (*2), MIC: -60 dB (*2)) PAD function (-20 dB (*2)), Phantom power ON/OFF (12 V DC), volume adjustable removable terminal block (6 pins)
Monitor Output	1 channel, unbalanced, 600 Ω or less Rated output: 0 dB (*2), RCA pin jack
Control Input	4 channels, no-voltage make contact inputs, open voltage: 5 V DC, short-circuit current: 2 mA or less, removable terminal block (6 pins)
Mute Control Input	1 channel, 24 V DC cut signal, control current: 5 mA or less, removable terminal block (2 pins)
Control Output	1 channel, open collector output, withstand voltage: 30 V DC, control current: 150 mA or less, removable terminal block (6 pins)
Indicator	STATUS (green/blue/yellow/red), LINE/MIC IN (green/red), OUTPUT (green), LINK/ACT (green)
Functions	
Broadcasting	Audio transmission Transmit internal messages by multicast audio streaming Transmit audio from audio input connected devices by multicast audio streaming Audio conversion Convert SIP voice to multicast audio stream and transmit Convert audio from Video Management Systems using ONVIF to multicast audio stream and transmit
Scheduler	Scheduled broadcasting and control by WEB-UI (Max. schedule settings: 2000) Configurable actions: Internal message broadcast, audio input broadcast, control output, command set transmission
Event	Execute event triggered by control input Configurable actions: Internal message broadcast, audio input broadcast, command set transmission, broadcast disable, system mute
Sound Source Files	Max. 20 files (File storage capacity: 80 MB total) Supported file format: WAV file: 8/16/44.1/48 kHz sampling frequency, 8/16 bit, monaural/stereo MP3 file: 32/44.1/48 kHz sampling frequency, 64 - 320 kbps, CBR/VBR, monaural/stereo Repeat playback: Playcount (1 - 10 times) or Duration (5 - 3600 sec) Interval time: 0 - 99 sec, Delay time: 0 - 99 sec
Command Set	20 commands can be registered in each of 10 command sets
Clock Accuracy	±13 seconds per month
Time Adjustment	Manual time setting, Time adjustment by NTP server
Power Outage Protection Period	24 hours (RTC time retention, at 40 °C (104 °F))
Language	English/Japanese
Operating Temperature	-30 °C to +55 °C (-22 °F to 131 °F)
Operating Humidity	90 %RH or less (no condensation)
Finish	Front case: Surface-treated steel plate, black, paint Rear chassis: Surface-treated steel plate
Dimensions	126 (W) × 33 (H) × 80 (D) mm (4.96" × 1.3" × 3.15") (excluding projection)
Weight	390 g (0.86 lb)
Accessory	Removable terminal plug (6 pins, preinstalled on the unit) ---2, Removable terminal plug (2 pins, preinstalled on the unit) ---1, Rubber feet ---4, Mounting screw (M3 × 6) ---4

(*1) When using Monitor output, assume an audio delay time.

(*2) 0 dB = 1 V

※ ONVIF is a registered trademark of ONVIF Inc.

※ These specifications apply to the firmware version 3.1.0 or later. For the latest specifications and firmware, please refer to the TOA DATA Library (<https://www.toa-products.com/international/>).

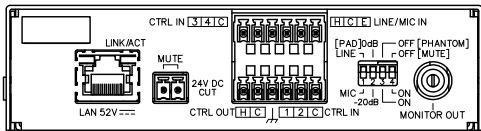
■ SPECIFICATIONS

Personal Computer Requirements

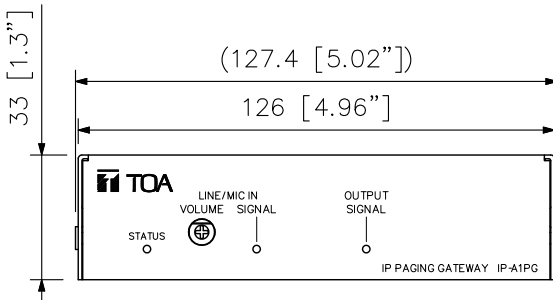
Display	1920 X 1080 resolution or greater
OS	Windows 10 Pro (64-bit edition) Windows 10 Home (64-bit edition) Windows 11 Pro Windows 11 Home
Required Web Browser	Google Chrome Microsoft Edge

- ※ Windows and Microsoft Edge are registered trademarks of Microsoft Corporation in the United States and other countries.
- ※ Google Chrome is the trademark of Google LLC in the United States and other countries.
- ※ Other company names and products are also trademarks of individual companies.

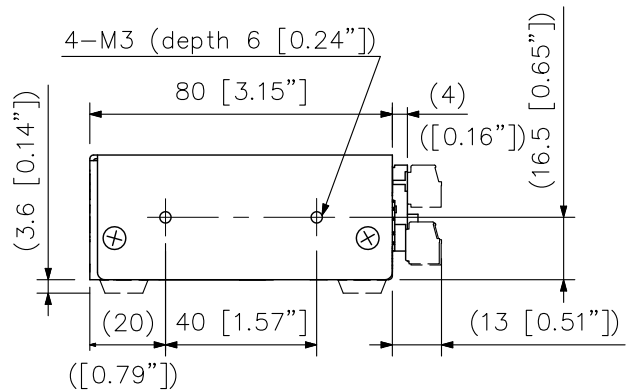
■ APPEARANCE



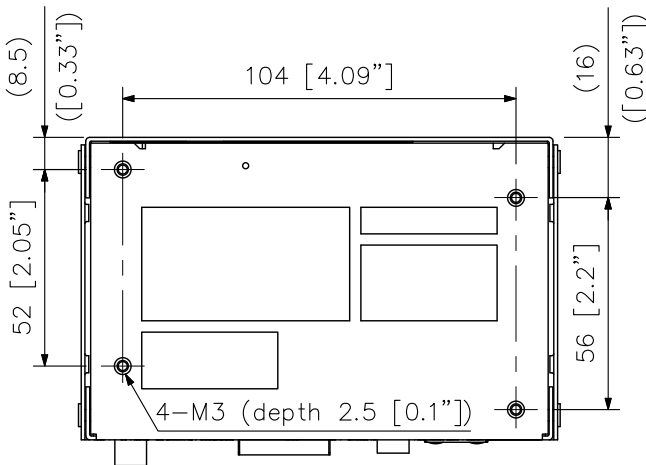
Rear View



Front View



Side View
(with accessories)



Top View

UNIT:mm SCALE:1/2

Note: Numerical values in parentheses are for reference only.